



Infrared switch

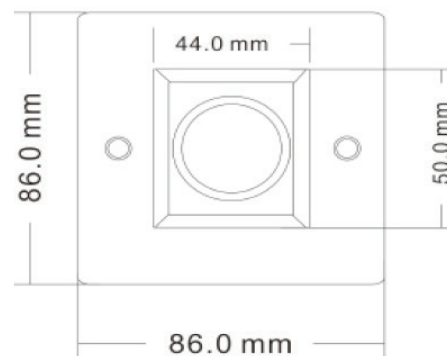
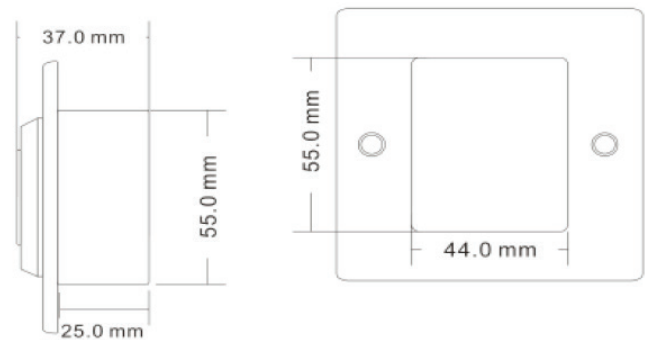


CHARACTERISTICS

- Perfectly complies with any sanitary conditions for medical and food industries, labs etc.
- Sensing distance adjustable 1-15 cm
- Mechanical lifespan of 500.000 times
- IP54
- NO,COM, NC
- Surface mounted
- Works smoothly
- Mounting back box optional

TECHNICAL SPECIFICATIONS

- Dimensions: 86 x 86 x 25 mm
- Input Voltage: 12VDC
- Contact rating: 12-28V @ 3A
- Contacts : NO, NC, COM
- Mechanical life: 100.000 tests
- Operating temperature: -20 °C ~ 55 °C (14 - 131 °F)
- Operating humidity: 0-95%
- Detection range: 1 - 15 cm
- LED indicator: white - power off, blue - power on (standby), green - power on (active)
- Weight: 0,15kg



ORDER INFORMATION

- AC213141- Infrared switch