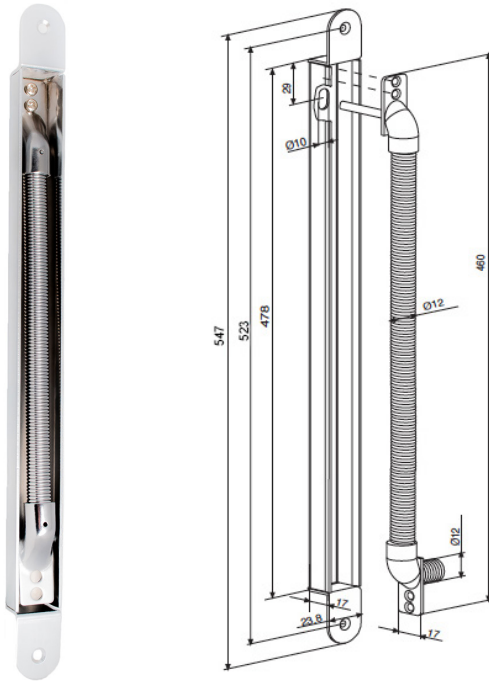


SmartKing™ mortise door loop 543 mm



CHARACTERISTICS

- Chrome finish
- Especially suitable for use with handle and motor locks
- Invisible mounting when door is closed
- Inner diameter 8 mm
- Rounded corners for easier installation and millwork

DESCRIPTION

When an electronic locking device is placed in the door, the cable that provides the power and monitoring information needs to be professionally routed and protected. The door loop provides such a solution by connecting the fixed door frame and the moving door itself. Thanks to its mortise mount, this can be achieved in a practically invisible manner. Decisive for the choice of the correct door loop is the opening angle of the door. The door loop is made of steel and provided with an oxidation-free chrome finish. When closing the door, the spring falls into the housing.

TECHNICAL CHARACTERISTICS

- Chrome finish
- Inside diameter: 8 mm
- Maximum cable diameter: 7,5 mm
- Height: 543 mm
- Width housing: 23,8 mm

ORDER INFORMATION

- AC230108 - SmartKing™ mortise door loop 543 mm