



SmartKing™ indoor L-bracket for 1500N

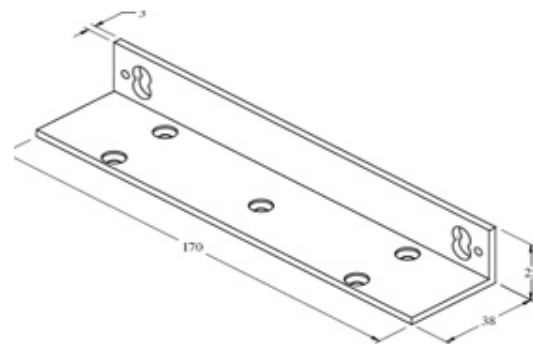


CHARACTERISTICS

- Aluminium L-bracket for 1500N
- Supplied with mounting screws
- Indoor use
- Finishing gray powder coated aluminum body and with nylon coating
- Provides high resistance to oxydation
- 5 year warranty
- Thickness: 3mm
- Dimensions: 170mm (l) x 38mm (w) x 25mm (h)

TECHNICAL SPECIFICATIONS

- Thickness : 3mm
- Dimensions : 170mm (l) x 38mm (w) x 25mm (h)



ORDER INFORMATION

- EM205050 - SmartKing™ indoor L-bracket for 1500N