



## Metal waterproof stand-alone access controller PIN only

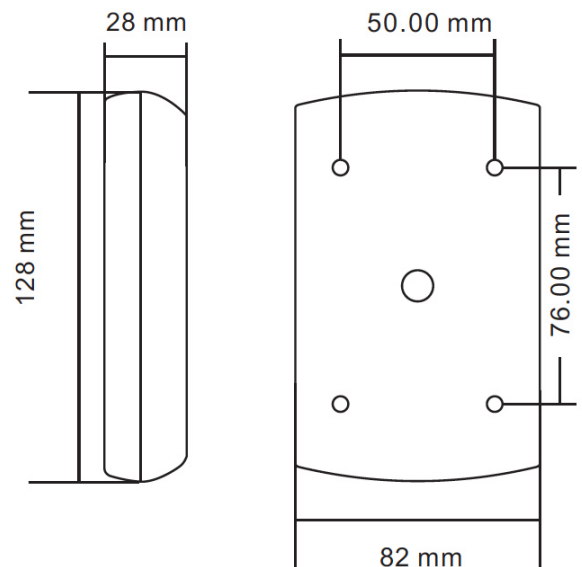


### CHARACTERISTICS

- Standalone keypad, 200 PIN users, code length: 4-6 digits
- Vandal proof zinc alloy electroplated housing
- Low power consumption
- Blue backlit keypad
- Tamper detection, programmable alarm time
- Programmable relay output mode: pulse (1–99 sec) , toggle
- Keypad lockout function
- Door monitor function
- Exit button input
- Built-in buzzer
- Dual led display: red & green

### TECHNICAL SPECIFICATIONS

- Dimensions: 128 x 82 x 28 ( L x W x H )
- Power supply: 12V dc +/- 10%
- User capacity: 1 master code , 200 user codes
- Door lock output: relay COM – NO – NC max. 3A
- Alarm output: max. 3A
- Stand-by current: < 15 mA
- Max. current: < 80mA
- Adjustable alarm time: 0 – 3 minutes
- Operating temperature: -40°C ~ +60°C ( -40°F ~ 140°F )



### ORDER INFORMATION

- PA240000 - Metal waterproof stand-alone access controller PIN only