



SmartKing™ metal stand-alone access controller

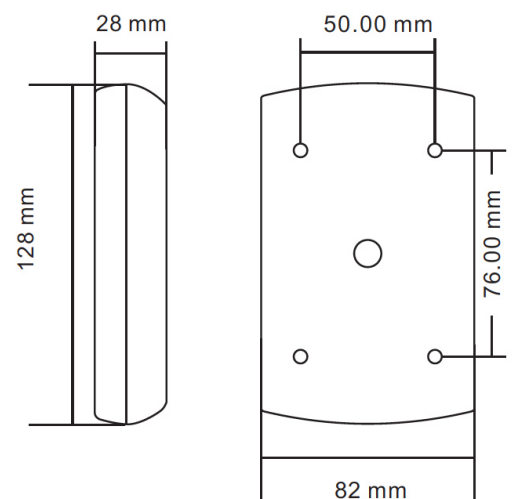


CHARACTERISTICS

- Standalone waterproof anti-vandal keypad / reader
- 1000 users, code length 4-6 digits
- Built-in EM/HID 125 KHz proximity reader
- Card only, card and code, card or code mode
- Low power consumption
- Blue backlit keypad
- Tamper detection, programmable alarm time
- Programmable relay output mode: pulse (1 – 99 sec), toggle
- Change over relay lock output
- Programmable alarm output time 1-3 minutes
- Keypad lockout function
- Input for door monitoring
- Input for an exit button
- Built-in tamper detection
- Built-in buzzer
- Dual led display: red & green
- 5 year warranty

TECHNICAL SPECIFICATIONS

- Power supply: 12V dc +/- 10%
- User capacity: 1 master code , 1000 users codes or cards
- Door lock output: relay COM – NO – NC max. 3A
- Alarm output: max. 3A
- Stand-by current: ≤ 20 mA
- Memory: non-volatile EEPROM
- Read range: 2 – 6 cm
- Adjustable alarm time: 0 – 3 minutes
- Operating temperature: -40°C ~ +60°C (-40°F ~ 140°F)
- Dimensions: 128 x 82 x 28 mm



ORDER INFORMATION

- PA240002 - SmartKing™ metal stand-alone access controller