



SmartKing™ narrow metal waterproof keypad/reader access controller

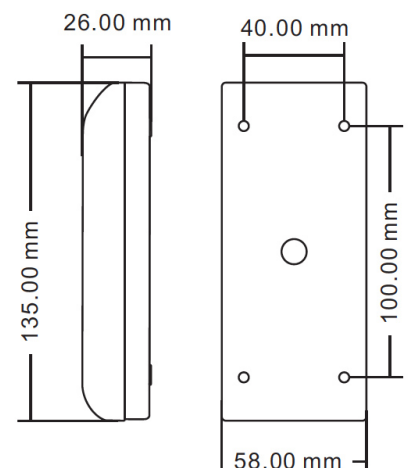


CHARACTERISTICS

- Zinc alloy, water and vandalproof, fully potted, conform to IP65
- 2000 users
- 3 access modes: Card, PIN, Card+PIN
- Built-in proximity EM reader 125KHz
- 4-8 digits PIN code
- Standalone with built-in changeover relay
- Programmable unlock time 0-99 seconds
- Master add and master delete card for fast and easy programming
- Wiegand 26 bit input/output
- Programmable door open detection, input for door monitoring
- Request to exit input
- Programmable keypad lockout security function
- Optical tamper
- Built-in buzzer
- Programmable alarm output, 1-3 minutes
- Dual color red/green LED status

TECHNICAL SPECIFICATIONS

- Operating voltage: 12-24 VDC / 12-18 VAC
- User capacity: 2000
- Keypad: 12 keys, 3x4 digits
- Card type: EM 125 KHz
- Card reading range: 3-6 cm
- PIN length: 4-8 digits
- Active current: < 80mA
- Idle current: 35 ± 5 mA
- Lock output load: 2A
- Alarm output load: Relay COM/NC/NO, max. 3A
- Operating temperature: -40°C ~ +60°C
- Environment: conform IP65
- Adjustable door relay time: 1-99 seconds
- Adjustable alarm time: 1-3 minutes
- Wiring connections: door status, exit button
- Dimensions: 135 x 58 x 26 (l x w x h)



ORDER INFORMATION

- PA240105 -SmartKing™ narrow metal waterproof keypad/reader access controller