



## SmartKing™ design code touch narrow Wiegand EM & HID reader/keypad

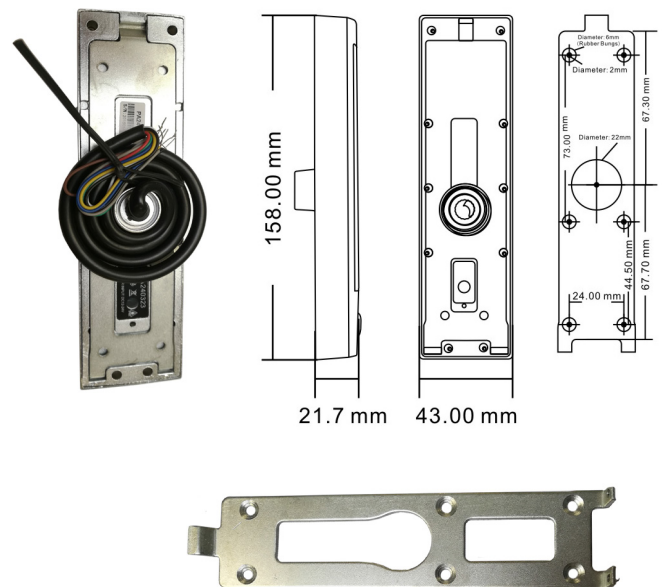


### CHARACTERISTICS

- Aluminum alloy structure, waterproof, fully potted, conform to IP65
- Metal Wiegand keypad/reader
- Built-in EM & HID (125KHz) card reader
- Touchscreen for 4-6 digits PIN code
- Programmable Wiegand 26 – 37 bit output & multiple format keypad output
- Programmable site / facility code
- Programmable backlight (on - off - automatic), buzzer, door bell and anti-tamper
- Programmable PIN keypad output : 4Bit, 8Bit and PIN output

### TECHNICAL SPECIFICATIONS

- Dimensions : 158,6 x 43 x 21,7 mm
- Outputs: relay COM/NO/NC and standard Wiegand 26 bit, programmable 26–37 bit
- Card type: 125 KHz EM & HID
- Power supply: 12 – 14 VDC
- Stand-by current: ≤ 35 mA
- Response time: 0.1 second
- Reading range: 3–6 cm
- Anti-tamper: yes
- Key press output: 4 bit, 8 bit, and virtual card number
- Protection: IP65
- Antistatic: 15 KV
- Operating temperature: -40°C ~ +60°C ( -40°F ~ 140°F )
- Operating humidity: 0 – 95 %



### ORDER INFORMATION

- PA240321 - SmartKing™ design code touch narrow Wiegand EM & HID reader/keypad