



Double core stainless steel access control swing gate

DESCRIPTION



This is a space efficient security barrier with a compact design yet offering sufficient space to integrate any access control system. They can be mounted with a display, a passage counter, card reader, token operation, traffic lights, command console, alarm system against unauthorised entries, interfaced with a PC through a RS232 (RS485, TCP-IP) line. The unique swing arm feature provides a fails-safe safety solution in case of crisis evacuations. Durability with minimal maintenance means years and millions of free passages. Gates are used to secure environments like reception areas, stadiums, arenas, recreation and amusement parks, and general perimeters and interior security.

CHARACTERISTICS

General features

- Use of IC cards, ID cards or magnetic cards
- A direction indicator to show the correct pedestrian access
- Passage counter
- Voice and strobe light alerts
- Infrared EKS sensors and police anti illegal entry, prevention of channel following
- Double anti clipping function photocell and and mechanical anti-clipping
- Auto reset function
- Closing delay 1-60 sec after valid card reading
- Reverse retrograde alarm after reading card

Operating modes

- Single passage in the set direction
- Bi-directional single passage
- Free passage in the set direction
- Always free or locked

Materials, colours and finishes

- Housing: metal sheet painted with 20/10 or stainless steel AISI 304 or AISI316
- Barrier swings – plastic plate, toughened glass, stainless steel frame
- Lid (optional) – stainless steel or artificial stone
- High quality powder coating with lacquered finish
- Dark grey colour high quality powder coating plus lacquered finish
- Sandpaper powder coating

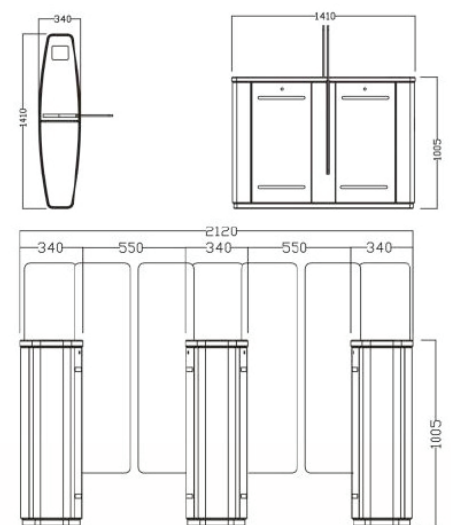


Mechanism & communication

- Double machine core
- Heavy-duty design for 24 hours continuous application
- Heavy-duty pull type
- Indoor or outdoor application
- High durability with industrial parts
- Quiet, no noise or shock running
- Motor running tested for 3.000.000 times
- Overheat and overload dual protection
- Dry contact relay with 12 volt or 24 volt pulse
- RS485 or TCP-IP communication with computer

TECHNICAL SPECIFICATIONS

- Passage width: ≤ 600 mm
- Throughput rate: 35 p/m
- Power supply: 100-240 VAC
- Operational voltage: 24 VDC
- Max power consumption: 35 W
- Frequency: 56-60 HZ
- Working temperature: $-25 \sim +70^{\circ}\text{C}$
- Electro magnetic drive: DC
- Dimensions: 1410 x 340 x 1005 mm
- Unlock time: 0.2 s
- Pass rate: 35 person/min
- Weight: 95 kg



ORDER INFORMATION

- SK212805D -SmartKing™ double core stainless steel access control swing gate