



## Design flap barrier



### DESCRIPTION

- This unique pedestrian barrier installed in conjunction with any access control system provides valuable assistance to security personnel at any monitored entrance. The flap barrier is available as a single or multiple lane setup and is compatible with most access control systems such as magnetic, biometric, and proximity readers.

### CHARACTERISTICS

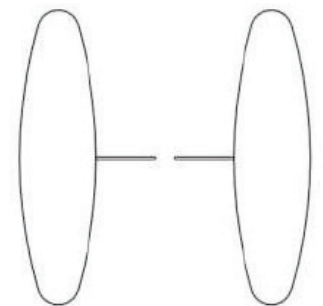
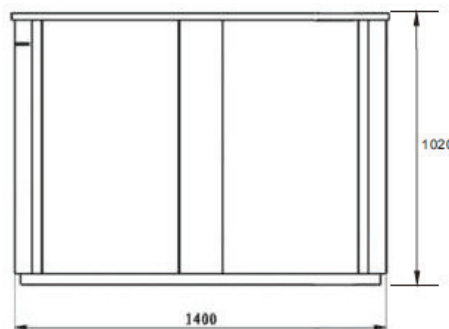
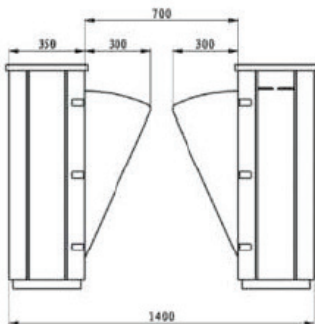
- Ideal for a wide variety of pedestrian access requirements, the length of a single flap is not less than 300mm, which can allow smooth access of pedestrians with bags in both of his hands.
- Due to mechanical anti-panic design the gate wings will retract back into the cabinet automatically and guarantee a smooth flow in case of power failure.
- The flap barrier can show four different colours according to different states like standby, running, halt and waiting.
- The adoption of crank connecting rod design promises a stable machinery operation and increases service life effectively.
- The hydraulic kinetic cushion technology ensures a natural and smooth operation when in high-speed environment, and avoids equipment vibration.
- It owns highly-secure protection with different functions of detection logic. Different data, such as the number of passengers, can be output through communication forms such as RS 485, TCP/IP by alarm signals
- When the barrier is halted, the toughened -glass flapslock mechanically and can't be manually forced to open
- Comprehensive working modes include normally closed, normally open, emergency close, emergency open, fire alarm opening and fail-safe automatic demoting
- With CE certification and meets EMC requirements
- PLC: adoption of a powerful PLC design promises the easy adjustment and reliable working.
- Surface processing: the default cabinet adopts AISI-304 stainless steel and the arm is ACRYLIC. Elegant oval design integrates into all architectural surroundings.
- Symbol: precise backlit symbols for intuitive process and high through output
- Top cover: top grade wood cover or stainless steel as option
- Emergency: Self safe design, opens automatically if turned off or input an emergency signal like fire alarm



- State LED: four different colours according to different states as standby, running, halt and waiting
- Detection sensor: multiple sensors on both sides, installed in the fittest position for detection

## TECHNICAL SPECIFICATIONS

- Dimensions: 1400 x 350 x 1020 mm
- Arm: 300
- Voltage: AC220 ± 10% V, 50Hz
- Motor: 24V/30W DC motor
- Communication: Rs485
- Reader window2: 2
- Symbols: 4
- Initial time: 20s
- Input signal: Dry contact TTL, or pulse signal which width more than 100ms
- Flank window: 4
- Speed: 60/minute (NO); 40/minute (NC)
- Open time: 1s
- Temperature: -20°C ~ 60°C
- Environment: inside / outside (awning)
- Humidity: ≤ 95%
- Weight: SK212814 L-R 100KG SK212814 M – 120kg



## ORDER INFORMATION

- SK212814L - SmartKing™ design flap barrier left
- SK212814R - SmartKing™ design flap barrier right
- SK212814M - SmartKing™ design flap barrier middle