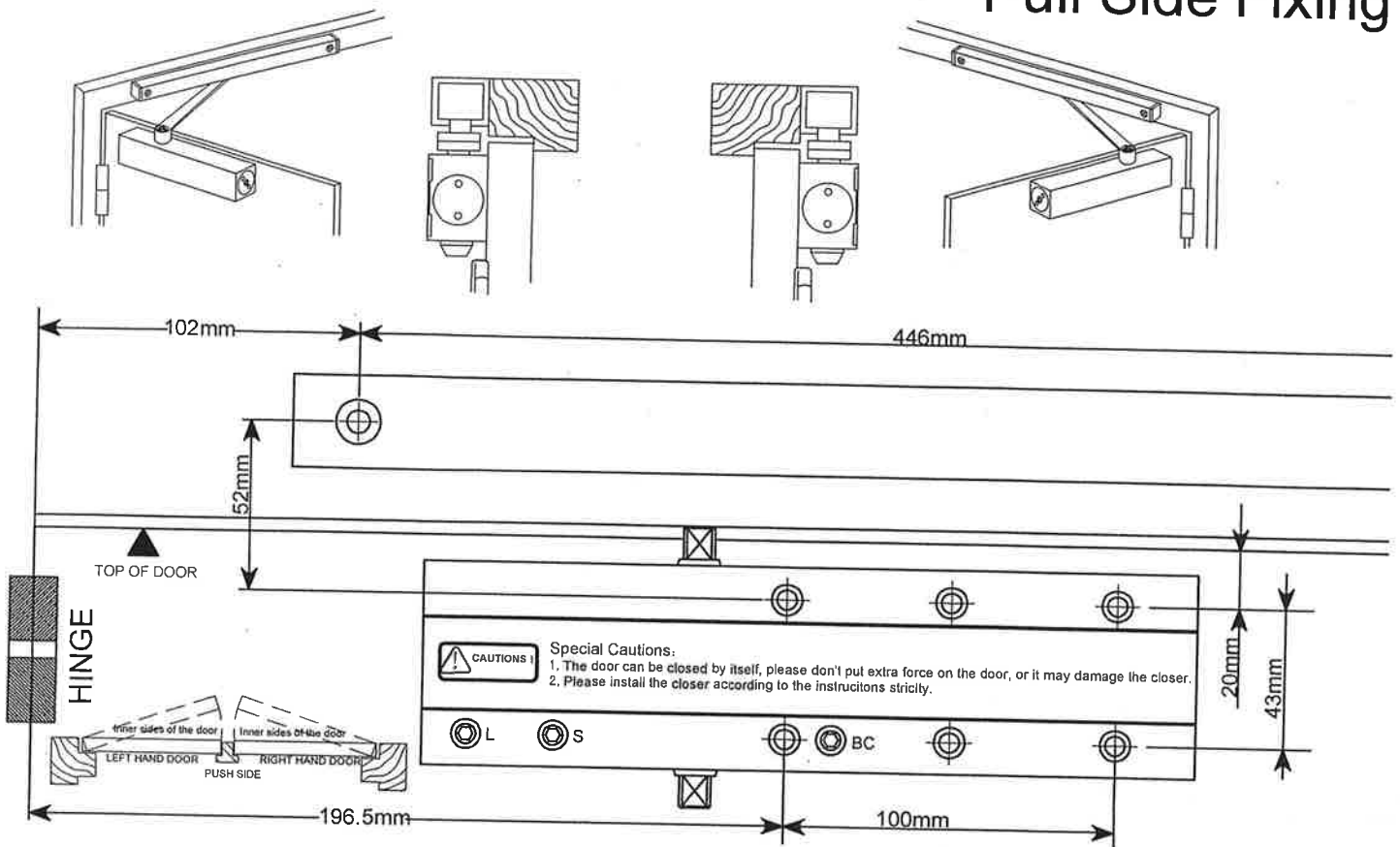
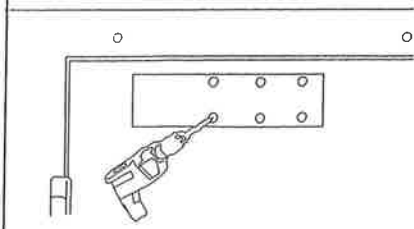


Installation Instructions Pull Side Fixing

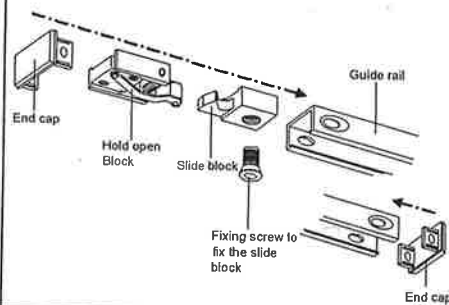


Right Hand door as shown; Same size for Left Hand Door.

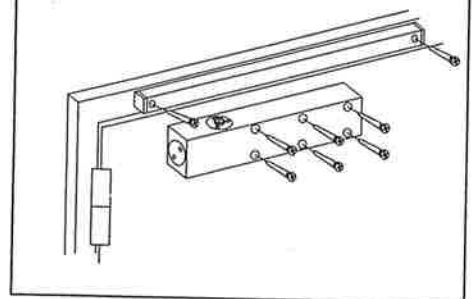
- 1** Please choose the way you want to install, and drilling a centre hole according to the drawing.



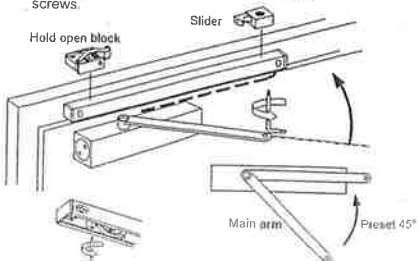
- 2** Please Assemble the extra parts as following sequence into the track.



- 3** Install the door closer Closer body and track arm according to the drawing.

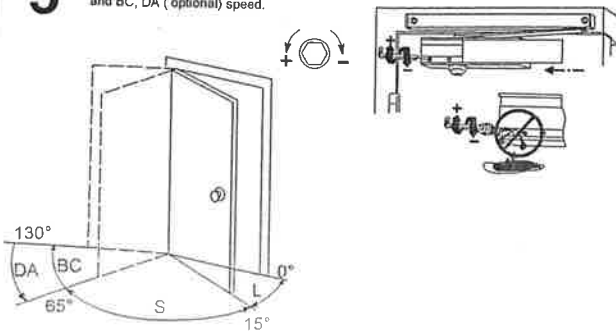


- 4** 1. Put the main arm on the upper shaft make sure the Crossing angle is 45° between the main arm and door. Then preset the main arm parallel the door and fixed the main arm with Slider in the track with screws.



2. Adjust the position for the hold open block in the track in order to adjust the hold open angle. If you don't want the hold open function, please don't fix the hold open block. **Fire Rated door is not allowed with Hold open Block due to safety purpose.**

- 5** Adjusting the closing (S), Latching (L) speed, and BC, DA (optional) speed.



- CAUTIONS** Never screw out the valves of the closers, or the leaking will be happen.

Applicable Door weight: 20-80 Kgs