

1. Feature

Function Name	Description
In/out management	Can check in/out time of everyone, suit for in/out personnel management of all kind of site.
Time & Attendance	Suit for checking employees' attendance status & doing statistical management of corporation, government departments.
Access control setting	Can set who/when/how can access
Opening door by cell phone	Open door by cell phone through WIFI
Anti-passback of 1 door	Must swipe card to enter in and only swipe the same card to exit; To prevent people following enter & exit; Suit for facility with high security requirements.
Opening door by multi-card	Swipe multiple cards, door will be opened.
Opening door by first card	Must swipe the first card, the others can enter by swiping their card. Suit for confidential department.

2. Technical Parameters

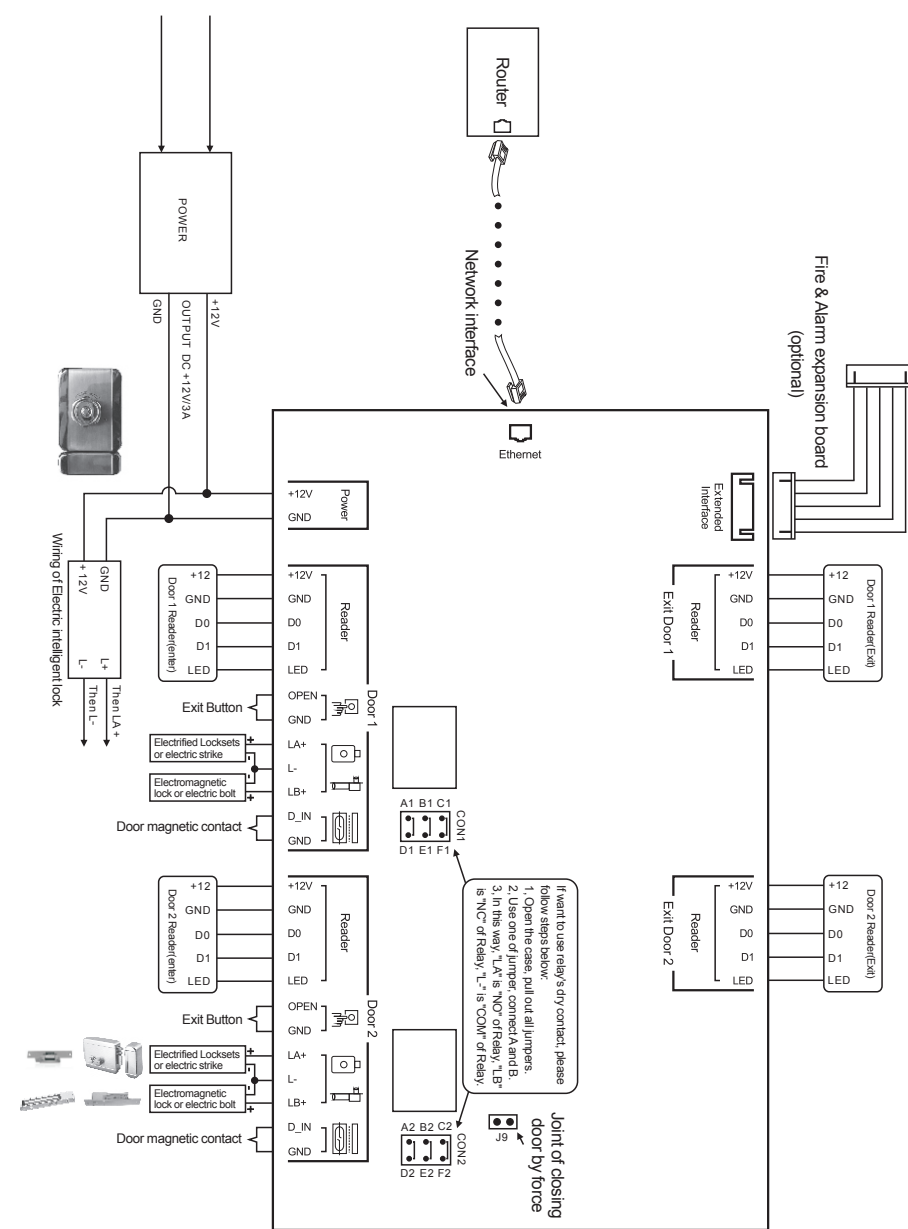
- > Control doors: PA240509 controls 2 doors; PA240508 controls 4 doors.
- > Quantity of connecting Reader: 4 for PA240509 (enter & exit by swiping card) 4 for PA240508 (enter by swiping card)
- > User capacity: 20,000 pcs
- > Event log: 100,000pcs (can be saved on controller permanently)
- > Way of opening door: card; card + PIN; multi-cards; first card etc.
- > Communication standard: TCP/IP
- > Language of Software kit: Chinese & English
- > Support database: Access and SQL
- > Dimensions: 201mm*125mm*32mm (PA240508, PA240509)
- > Requirement of power supply: DC 12V/3A
- > Idle current: <120mA
- > Input format of card data from reader: Wiegand 26, 34 bit
- > Input format of pressing keypad of reader: 4bit or 8bit (ACII)
- > Delay time of opening door: 1-600s optional
- > The maximum number of controller connecting in LAN: no limit
- > Operating temperature: -40-60°C
- > Operating humidity: 10-95%(non-condensing)
- > The max distance between reader and controller: 100meter (cable requirement: RVV1.0)
- > The max distance between controller and controller: depending on network coverage

3. Packing List

Name	Quantity	Remark
PA240508 or PA240509 controller	1	
CD	1	
User manual	1	
Rubber Bung	4	For installation
Self-tapping Screws	4	For installation

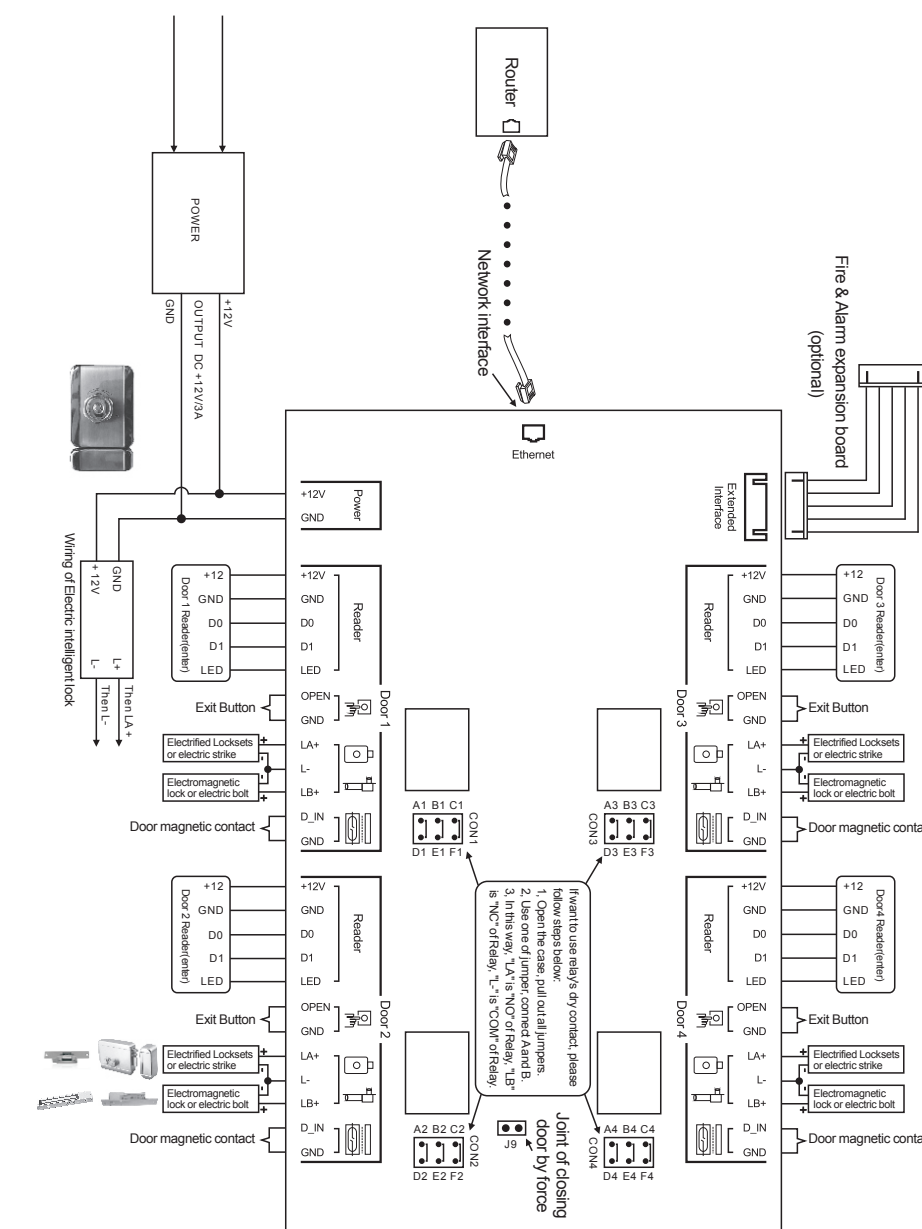
· 01 ·

4. PA240509 Wiring Diagram of TCP/IP 2-Door Network Access Controller



· 02 ·

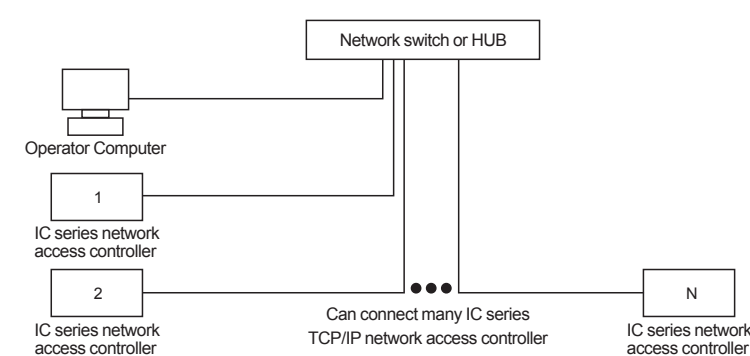
5. PA240508 Wiring Diagram of TCP/IP 4-Door Network Access Controller



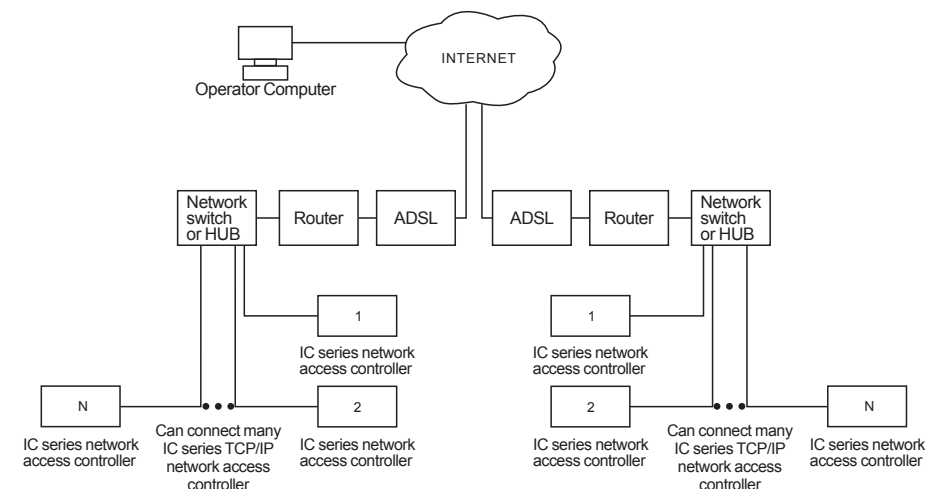
· 03 ·

7. Wiring Diagram of LAN and WAN

7.1 Wiring Diagram of LAN



7.1 Wiring Diagram of WAN



8. Fire & Alarm Expansion Board(Optional)

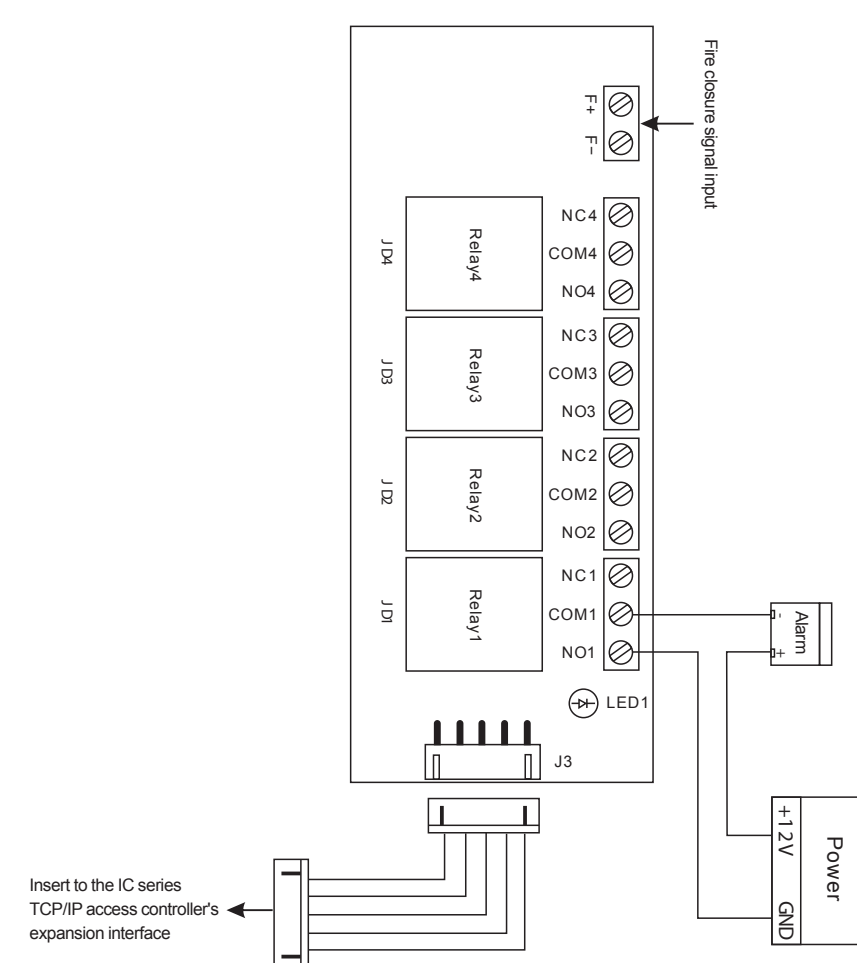
8.1 Introduction

Fire & Alarm expansion board is add-on module of network access controller, can set by software, mainly for Fire & Alarm signals output.

8.2 Module Features:

- 8.2.1 4-way alarm output. You can set function to which door or which doors of the controller accordingly.
- 8.2.2 Can connect the fire signal input, when fire signal received, doors in the controlled area will open automatically, and generate a fire alarm record, for later checking.
- 8.2.3 Can support break in alarm, long time unlocking alarm, forced into alarm, invalid card alarm, fire& alarm linkage etc.
- 8.2.4 Can set delay time of each output from 0 to 600 seconds.

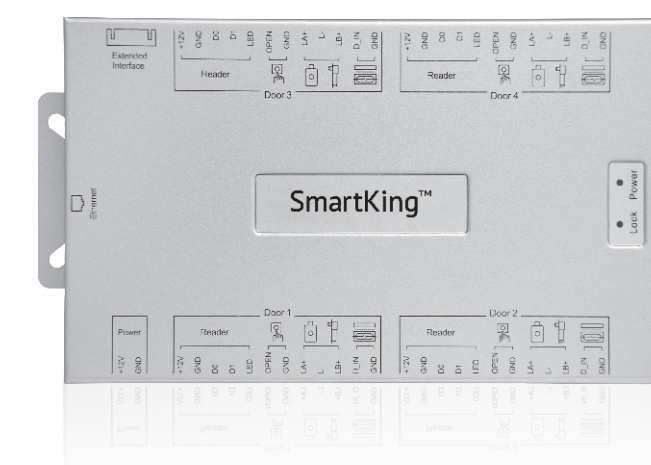
8.3 Wiring Diagram



· 05 ·

SmartKing™

support@smartking.com
www.smartking.com
PA240508 - PA240509



PA240508/PA240509
TCP/IP Access Controller

User Manual

· 04 ·