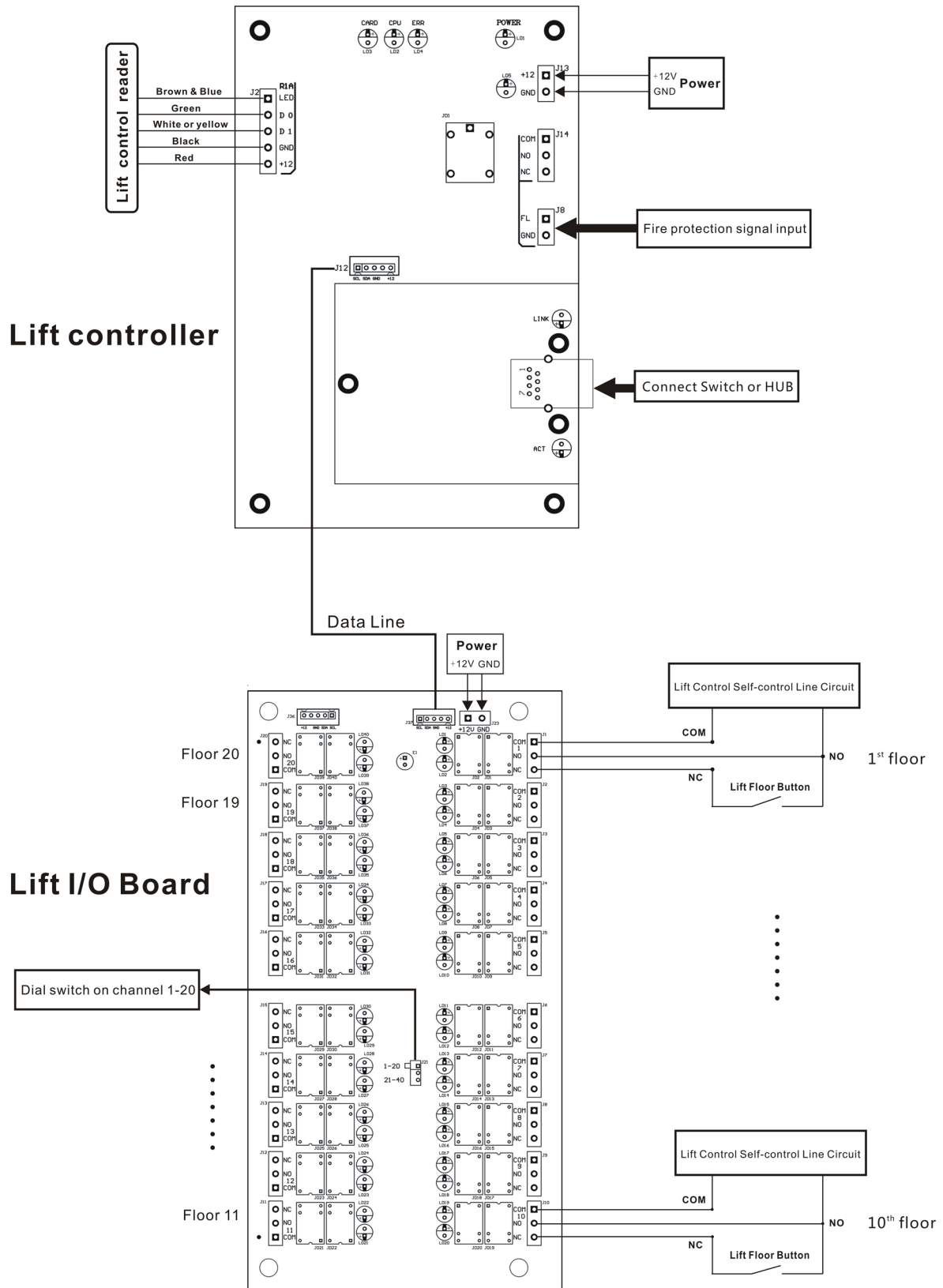


Wiring Diagram



Notcie: If not punch card while lift control power on, COM, NC, NO port of the relay output is outage

1. If the user has only privilege of one floor, when punch card, the related COM, NO port will be closed until arrived the pointed floor
2. If user has privilege of multi floor, when punch card, the related COM, NC port will be closed, then choose pointed floor