

Tripod Turnstile

SK212900

Operating Instructions

Copyright Statement

Respected customer:

Thank you for choosing Tripod Turnstile provided by Delos International Group. This is a product with high technology, so please read this manual carefully before operation.

The appearance and technologies involved in this product belong to Delos International Group.

The copyright of this manual belongs to Delos International Group. Without permission, no unit or individual is allowed to copy or use any contents of it, Offenders should take responsibility caused by above actions.

All rights to improve and perfect our products are reserved. We can't promise this manual is in full accord with the product you receive, but we will check and revise the manual at regular interval. No further notification will be sent in the case of any modifications to the manual.

Warranty Service Statement

We provide free maintenance and technical support within warranty period from the day of purchasing. This commitment will automatically terminate when any of the following actions occur.

1. User makes modification, dismantlement or anything else which may possibly impair the completeness of software and hardware.
2. User fails to operate correctly according to this manual and causes damage to the equipment completely or partly.

Safety Attention

The Tripod Turnstile you select contains many mechanic and electric parts. Any negligence during assembling or operation may threaten your safety.

Any individual or entity who sells and install this product should take relative safety responsibility. Meanwhile, please obey the following matters:

1. Install the product strictly following instruction manual, and make sure the equipment is fixed before putting into use.
2. All the pipes and wires should be purchased according to instruction standard. Hide pipes and wires carefully to avoid electric leakage or abnormal running caused by circuit destruction during daily use.

Warning:

This manual introduces correct Tripod Turnstile use information and important matters you should take care to prevent accident from happening. Please carefully read the manual and use this product. Any operation disobeys safety attentions or misuse turnstile may cause serious results threatening personal security.

Only trained professionals who understand electric and mechanical risk of turnstile product are qualified to install and operate turnstile system so as to avoid unnecessary dangers caused by misoperation.

We are not responsible for results caused by any unmentioned operation, malicious destructive operation and unprofessional operation of untrained technician.

Please keep this manual for future reference.

Please contact the following e-mail if you need more information and training.

engineer@delosgroup.com

1 System Introduction.....	5
1.1 Introduction.....	5
1.2 General View of Turnstile.....	6
1.3 Feature	7
1.4 Main technical parameter.....	8
2 Installation	9
2.1 Product Check	9
2.2 Overall dimensions and installation plan.....	10
2.3 Preliminary work on site	11
2.4 Installation	12
2.5 Installing the tripod turnstile	13
3 Connection & Operation.....	14
3.1 Electrical connections	14
3.2 Operation	16
4 Working Mode	18
4.1 Mode Instructions	18
5 Maintenance	20
5.1 Daily Maintenance	20
5.2 Common Failures.....	20

1 System Introduction

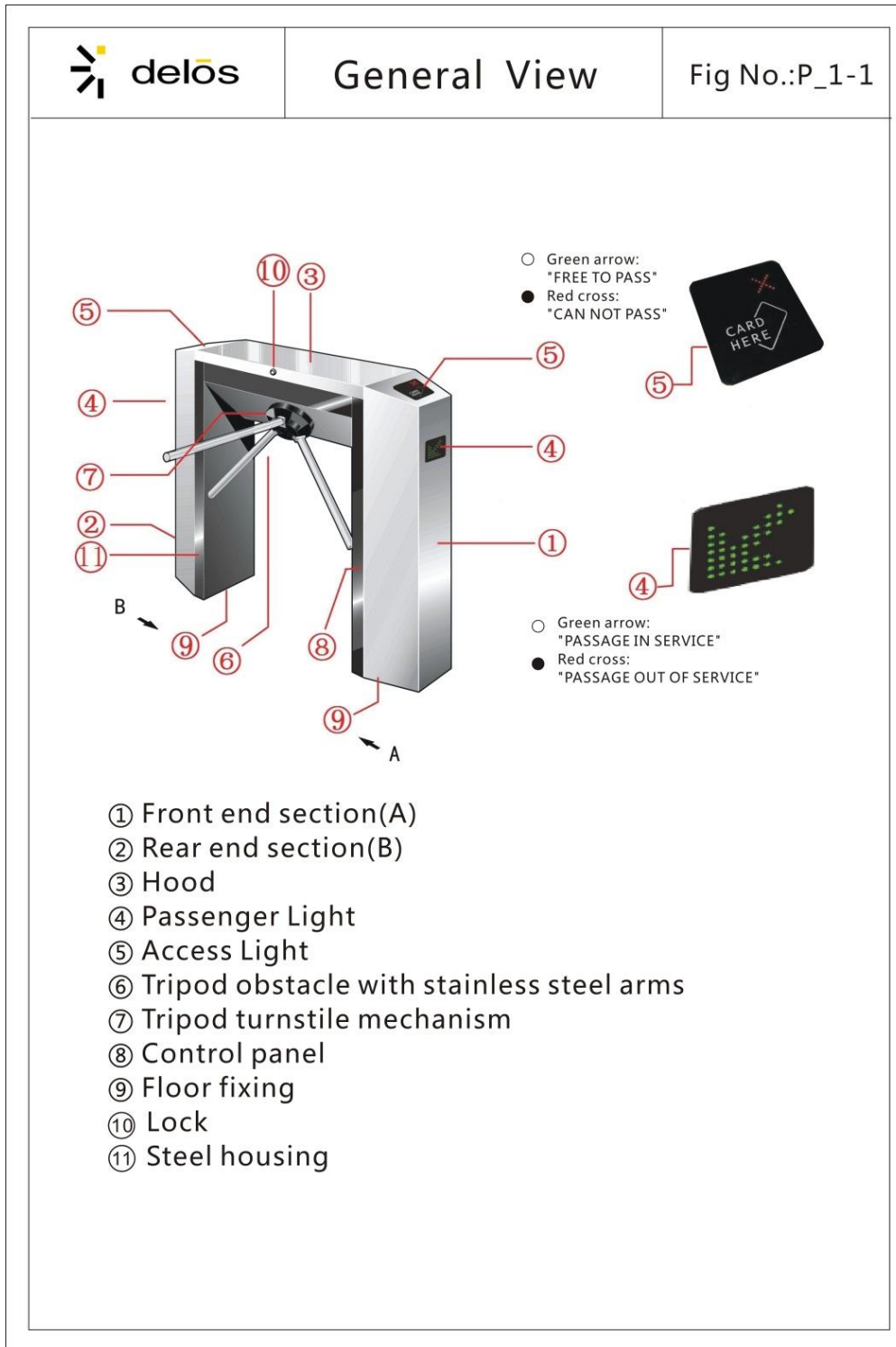
1.1 Introduction

DWT-100 tripod turnstile is a classical pedestrian gate, which depart the regulation area from the public area efficiently based on the good appearance ,the main function is to block the unauthorized person to pass , and assure the fast pass for authorized person , stable structure design together with stable electricity control system assure the device can be operated in long term , stable and high speed way , Brushed stainless steel finish suitable for most modern building internal decoration .

The products suitable for library , office building, research centre, factory government building , subway ,transportation port, garden and so on , any area That require regulation.



1.2 General View of Turnstile



Note :

Conventionally and as a general rule, the user will be considered in direction "A" when the turnstile is at his right-hand side, in direction "B" when the turnstile is at his left-hand side.

1.3 Feature

- In emergency, the door can be opened directly through the emergency push button and power failure, to make sure the safety of person
- Independent crust is made of 304 stainless steel
- Both the front and back part is made of 304 stainless steel, fixed in the crust by Internal lock, and can only be taken down after taking the top cover.
- Take-down cover is also made of 304 stainless steel, with security lock, with which, the electrical machine can be checked easily.
- The device is with self-adjusted hydraulic shock absorber, which makes the operation of arm more quiet and no shock, fast slowdown.
- The arm is made of stainless steel, and it has a feature of drop down, if power failure, and come up manually if power on
- High light LED instruction function, red crosses for passage forbidden and Green track for authorization succeeds.
- The device has an automatic reset function, it means after the authentication, the passage doesn't pass if within a limited time, the system will cancel the pass, and this time can be set according to detail request.
- The base is fixed by expansion bolt each direction has enough room to install the authentication device, such as the card reader, coin collector, and so on.
- Various kinds of working mode, such as bi-direction, single direction, emergency close and emergency open and so on.

1.4 Main technical parameter

Basic Parameter	
Product Dimension	1220*1275*1000mm (Length*Width*Height)
Arm	520mm
Length beyond the turnstile	470mm
Width of passage	≤520mm
Arm Diameter	38mm
Rotation Angle	120°
Material	Stainless steel (304)
Surface Finish	Brush finish
Net Weight	88Kg
External Power	AC 220V 50HZ
Work voltage/ power	DC 24V / 150W
Control Signal	Dry contact signal, TTL signal, low level pulse signal with pulse width > 100ms
Common Control Method	Swipe card, remote control, manual control, etc.
Direction	One-way/two-way settable
Passing Flow	Normal passing speed: 25 persons/min Emergency passing: 60 People/min
Fire Alarm /Emergency Power off	Arm fall automatic, free for passing
Working Cycle	> 250,000 times , daily use 2000 times/day
Working Temperature	-20°C~+50°C
IP	IP65
Working Environment	Indoor/outdoor use (It is supported to use flashing)

2 Installation

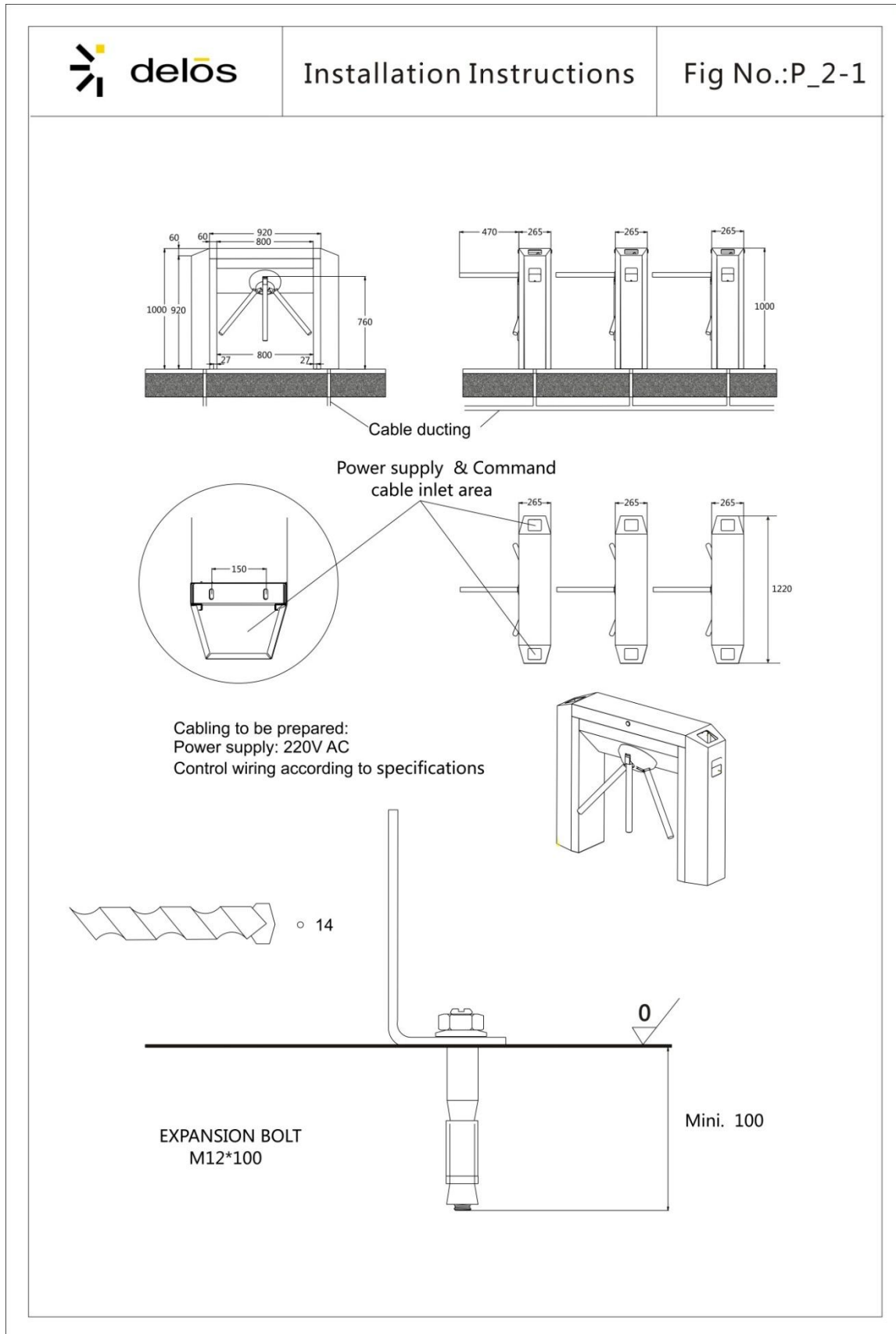
2.1 Product Check

Delivery list of one Tripod Turnstile:

No	Name	Quantity
1	Tripod Turnstile	1
2	Key	2
3	M12*100 expansion bolt	4

- Firstly check accessories after equipment arrives. Contact us in time if there are any problems.
- Check the state of the material. Though it has been carefully packed, damage may have occurred during transport. Any transportation damage should be repaired, or components replaced.

2.2 Overall dimensions and installation plan





2.3 Preliminary work on site

This is basically the following:

- ◆ Check the positioning and location of the equipment according to the site's general lay-out.
- ◆ Preparation of fixing holes in the floor as in P_2-1. Make sure to drill holes with the diameter adapted to the expansion bolts that will be used (type recommended: model M12*100). Ensure that the drilling positions do not conflict with any cables, pipes, ducts or steelwork in the floor structure. If this does occur, a slight repositioning of the turnstile may be needed.
- ◆ Preparation of electrical supply and control cabling: all power and control cables enter the turnstiles through the floor at either end section (rear or front). Mark and drill entry holes in floor as described for the fixing holes. A single-phase, 230V 2Amp (max.) power supply is required, installed to the country Regulations, relevant for this installation, complete with earth bonding for the metalwork. Control cables for remote desk consoles (if supplied), and other access control devices (when applicable) will also be required, installed to conform with relevant regulations and control device specifications

2.4 Installation

 delos	Installation Instruction	Fig No.:P_2-2
<p>Step 1:</p>  <p>① unlock the lock with key ② Open and remove the hood ③ Open and remove the front end section(A) and rear end section(B)</p>		

The tripod turnstile has been packaged suitable for transport. Move the material to the installation site with the assistance of a fork-lift, or manual hand truck and remove the packing material.

- Unlock and open the front doors. Keys are supplied as accessories in a separate bag.
- Open and remove the hood.
- Check the state of the material. Though it has been carefully packed, damage may have occurred during transport. Any transportation damage should be repaired, or components replaced.

2.5 Installing the tripod turnstile

- Position the turnstile on site precisely.
- Fix the 4 expansion bolts to the floor.
- Carefully pull the power or control cables into the end sections of the turnstile (ensure cables are not trapped between the floor and the end sections or the fixing brackets).
- Check turnstile for alignment and level, and tighten fixing brackets firmly.
- When the turnstiles are fitted in banks (rows), of more than 1 unit, attention should be given to the linear, vertical and horizontal alignment. Packing shims can be used.

3 Connection & Operation

3.1 Electrical connections

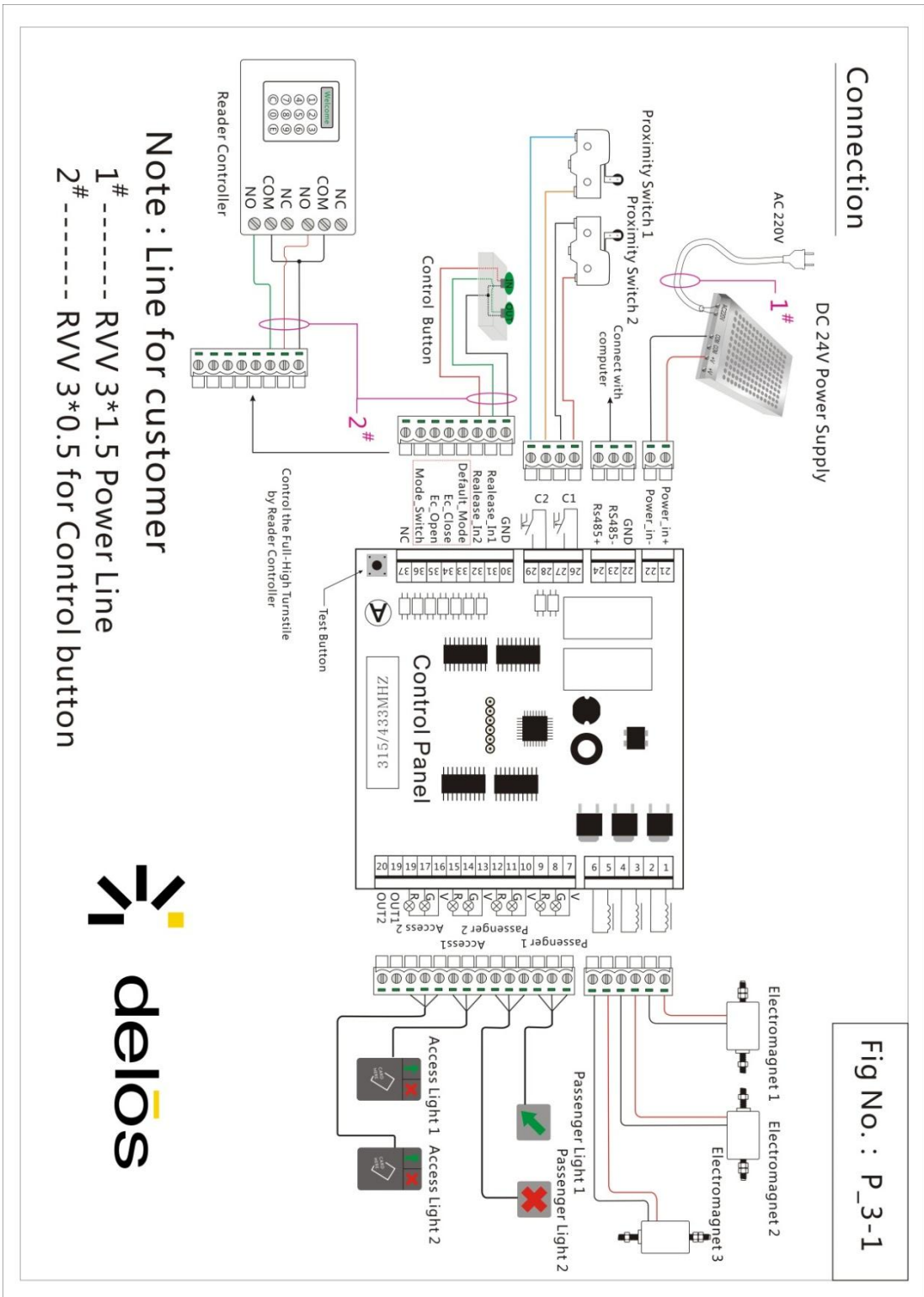


Fig No.: P_3-1



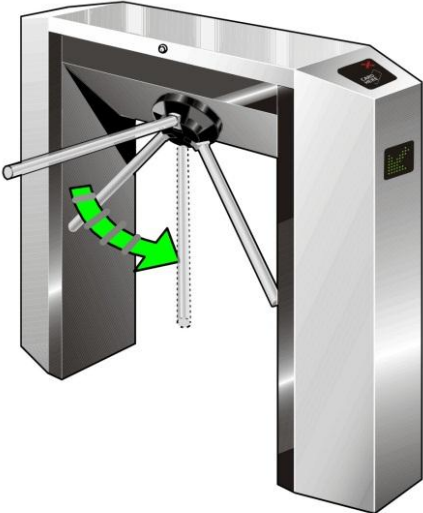


The electrical connections must be made according to the fig P_3-1.

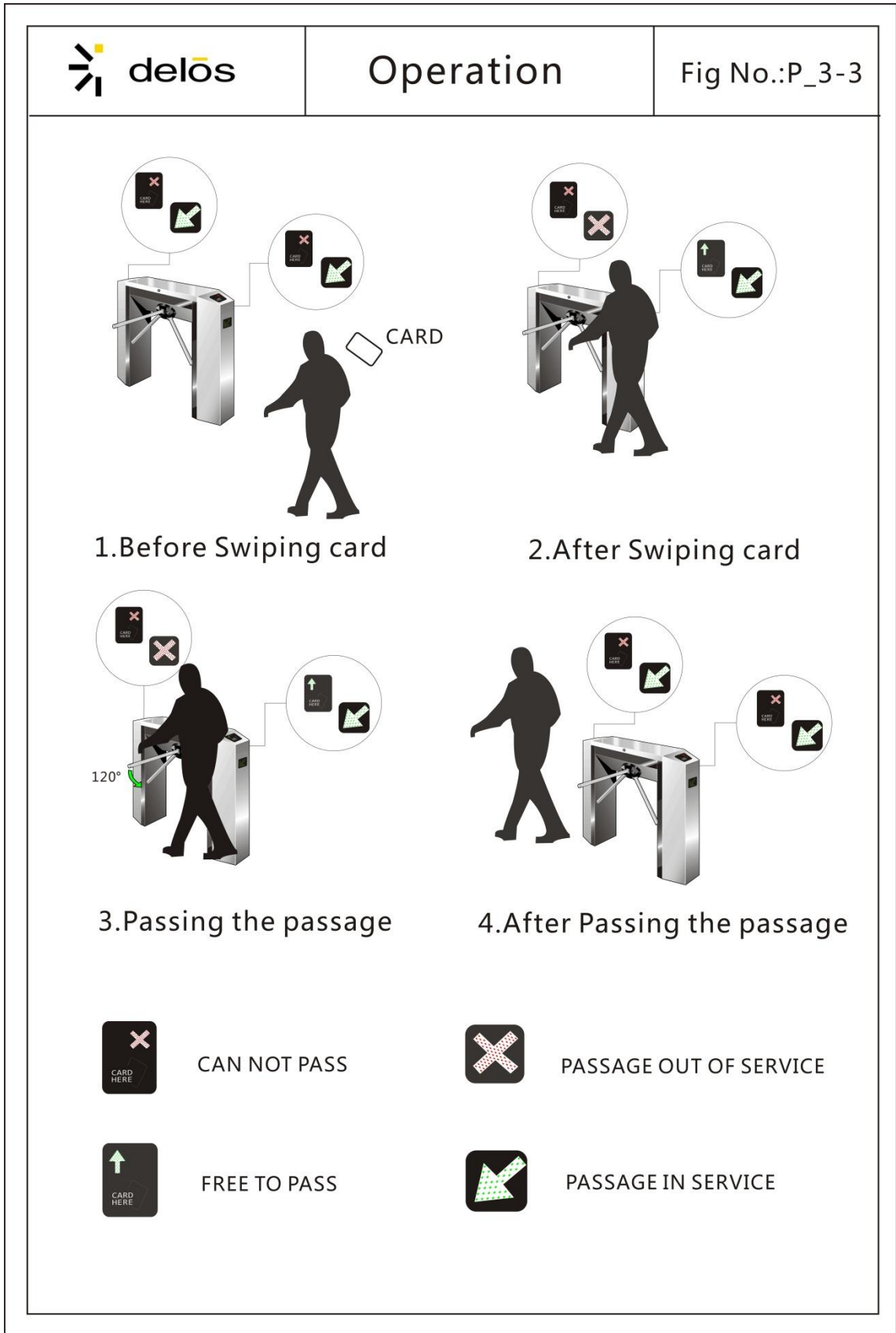
- Make sure that the power supply cables are not live. All internal connections are factory-made.
- If necessary, cut off the excess cable length. Connect the 220V single-phase power supply wire and earth wire to the power supply. Make sure the equipment is correctly earth bonded..
- Proceed with all other electrical connections depending on the equipment specifications
- Route all cables via the cable entry holes and secure in the cable fastenings provided, ensuring that they are held clear of the turnstile mechanism's moving parts
- After the power supply has been energised, test for correct polarity, supply voltage and earthing, power up the equipment .

3.2 Operation

Operate by administrator



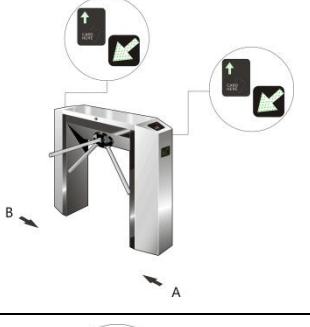

 delos	Operation	Fig No.:P_3-1
<p>1. Power on</p>  <p>When the power on ,Lift up the arm manually and make sure this holds in the horizontal position.</p> <p>2. Power off</p>  <p>When the power off ,the arm will fall automatic to make sure the passage is free to pass.</p>		



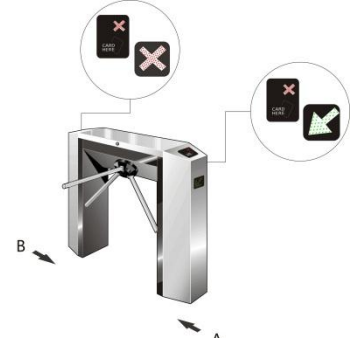
Operation by customer (Default mode)



4 Working Mode

4.1 Mode Instructions

Mode	Change Mode	Note	Fig
Default Mode	One relay signal to 30&33	A: Pass after authenticate B: Pass after authenticate	
Emergency close mode	One relay signal to 30&34	A: Passage not in service B: Passage not in service	
Emergency Open mode	One relay signal to 30&35	A: Free to pass B: Free to pass	
Other Mode	1 One relay signal to 30&35	A: Free to pass B: Pass after authenticate	

	2	Two relay signal to 30&35	<p>A: Pass after authenticate</p> <p>B: Free to pass</p>	
	3	Three relay signal to 30&35	<p>A: Passage not in service</p> <p>B: Pass after authenticate</p>	
	4	Four relay signal to 30&35	<p>A: Pass after authenticate</p> <p>B: Passage not in service</p>	

Note:

One relay signal ----- relay signal (t > 100ms)

The mode will change back to Default mode after power off.

5 Maintenance

5.1 Daily Maintenance

- Clear equipment surface at regular intervals according to working environment.
- Clear the passage in order to avoid influencing normal passing
- Check whether wirings are loose at regular intervals
- Check external fixed screws and screws of internal mechanical part are loose and fasten them.
- Add some oil to mechanical running part to ensure smooth running of equipment.

5.2 Common Failures

NO.	Failure Description	Solution
1	Equipment can't be locked after power on	Power off and restart. Check whether wirings are loose.
2	Fail to pass after swiping card	1.Check whether the card has the authority 2.Check whether card reader and other devices are normal and wires are loose.
3	Several passers can pass for swiping card once	Check whether top counting switch is loose.
4	Other problems	Check wiring condition, then power off and restart. If problem still exists, please contact us in time.